



Close Loop Pool Heating System

What system?

- GLE Solar ICS collectors with a special system design are used for pool heating;
- A pool heat exchanger is connected into system; It is made from either Titanium or Stainless steel;
- A close loop circulation system operates with an electronic controller.

Where to use?

- Good solar condition;
- Light freezing climate zone;
- Best no shading condition around.

Which features?

- The collectors can be installed vertically on ground as a fence;
- Maximize the solar BTU production;
- SRCC OG-100 and FSEC of collectors certificated.



1. GLE Collector SHP609



2. Tekmar 150



GLE Solar Pool Heating System

- Close loop
- Heat exchanger

Domestic water inlet

4. Valve

3. PRV

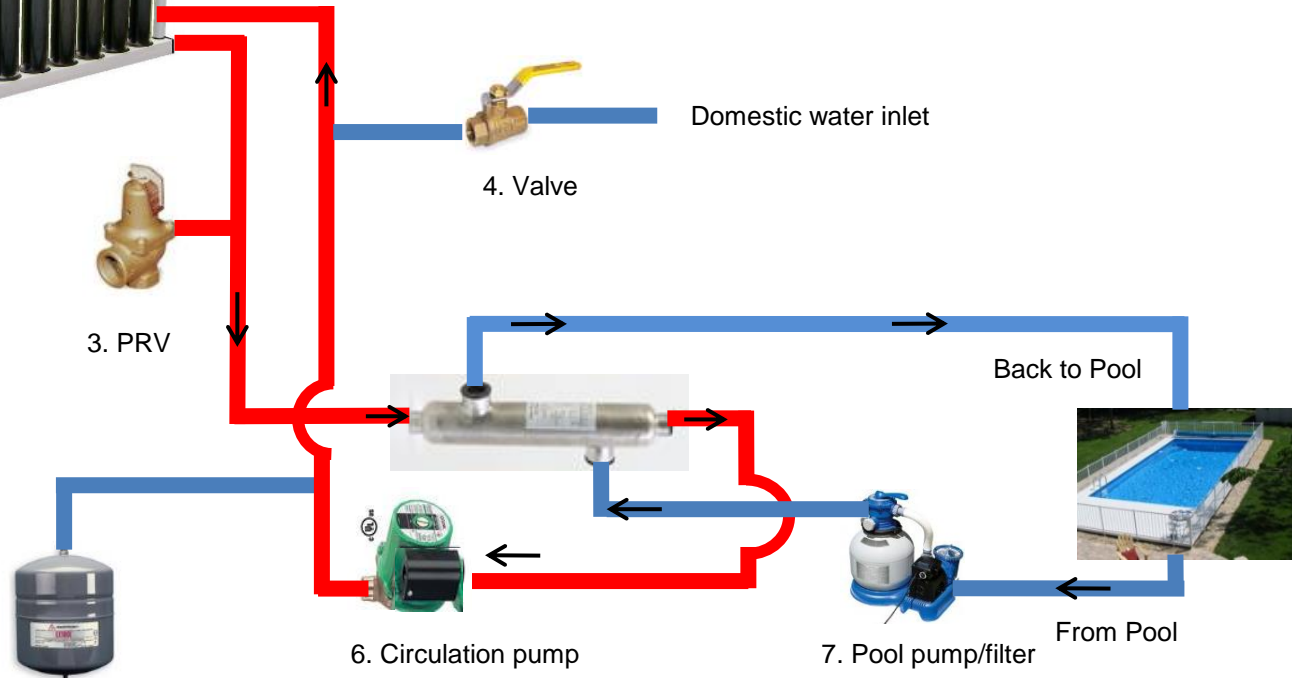
Back to Pool

From Pool

6. Circulation pump

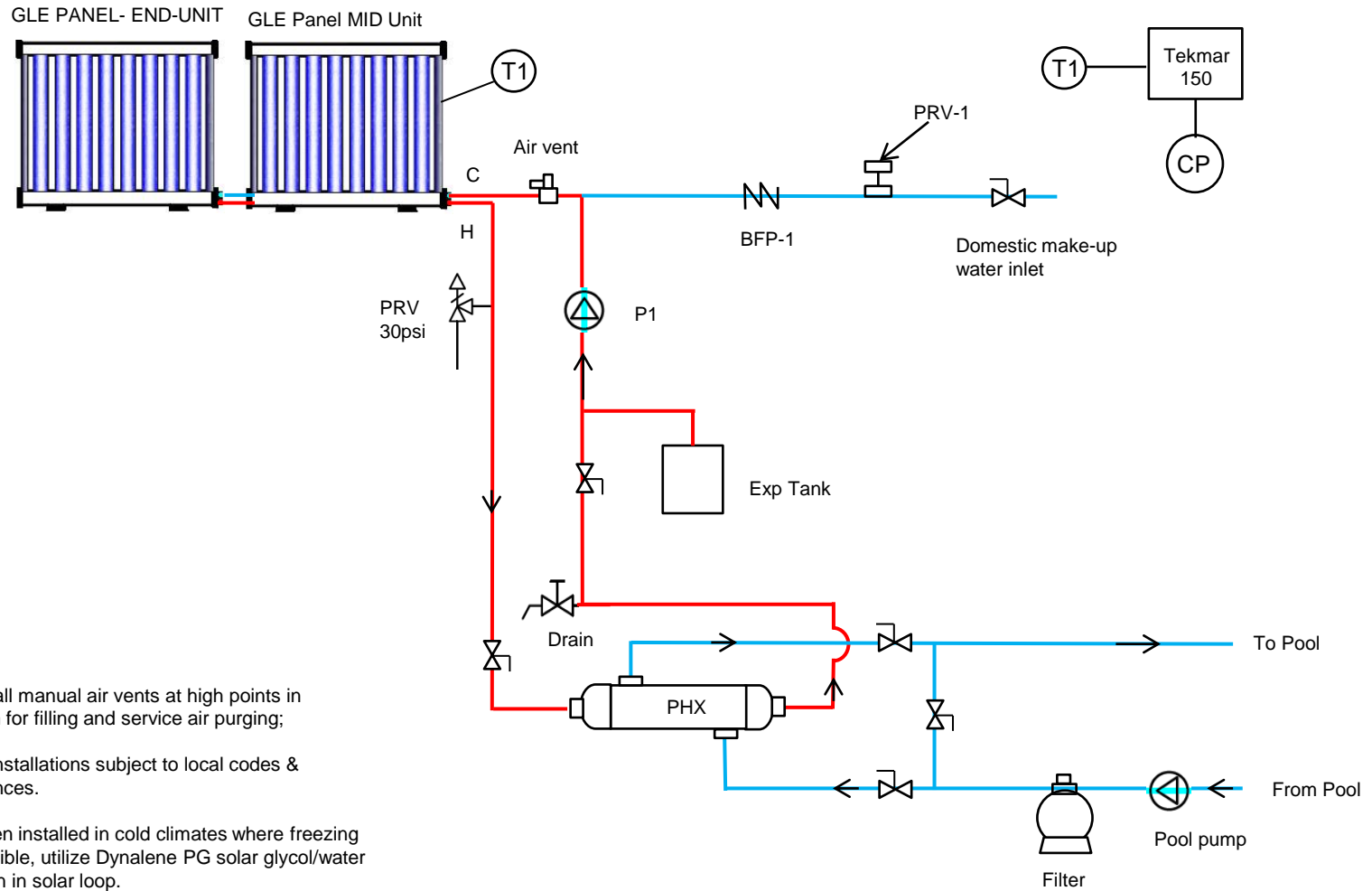
7. Pool pump/filter

5. Exp tank



GLE Solar Pool Heating System
9/2013

GLE-CL-Pool



Notes:

- 1) Install manual air vents at high points in system for filling and service air purging;
- 2) All installations subject to local codes & ordinances.
- 3) When installed in cold climates where freezing is possible, utilize Dynalene PG solar glycol/water solution in solar loop.



GLE Solar Pool Heating System
9/2013

GLE-CL-Pool

Key Devices and Components List

Order	Name	Description	Sizes	Notes
1	Solar collectors	GLE Solar ICS collectors	4 foot; 6 foot panel	
2	Controller	Tekmar 152; 150;		
3	Circulation pump P1	Grundfos UPS15-58FC	5.5 gpm	Solar loop circulation
4	Heat exchanger	Titanium or stainless steel SP-300K	70 gpm	Pool water flow rate
5	PRV-1	Apollo/Conbraco 36C204G2	Set 15 psi	pressure reducing valve
6	PRV	Apollo/Conbraco RVW 10	30 Psi	Pressure relief valve
7	Expansion tank	Amtrol ST-12	4.4 Gallon	
8	BFP-1	Apollo/Conbraco, DCAP	1 / 2"	Backflow prevention
9	Pipe for solar loop	PEX		
10	Pool loop	PVC		
11				
12				